

## SMR55P Pull Down Grab Rail

### Material Specifications

- **Tubing:** 1.2mm #304 Stainless Steel - 32mm $\varnothing$
- **Mounting Bracket & Brace:** 2.5mm Formed #304 Stainless Steel

### Dimensions

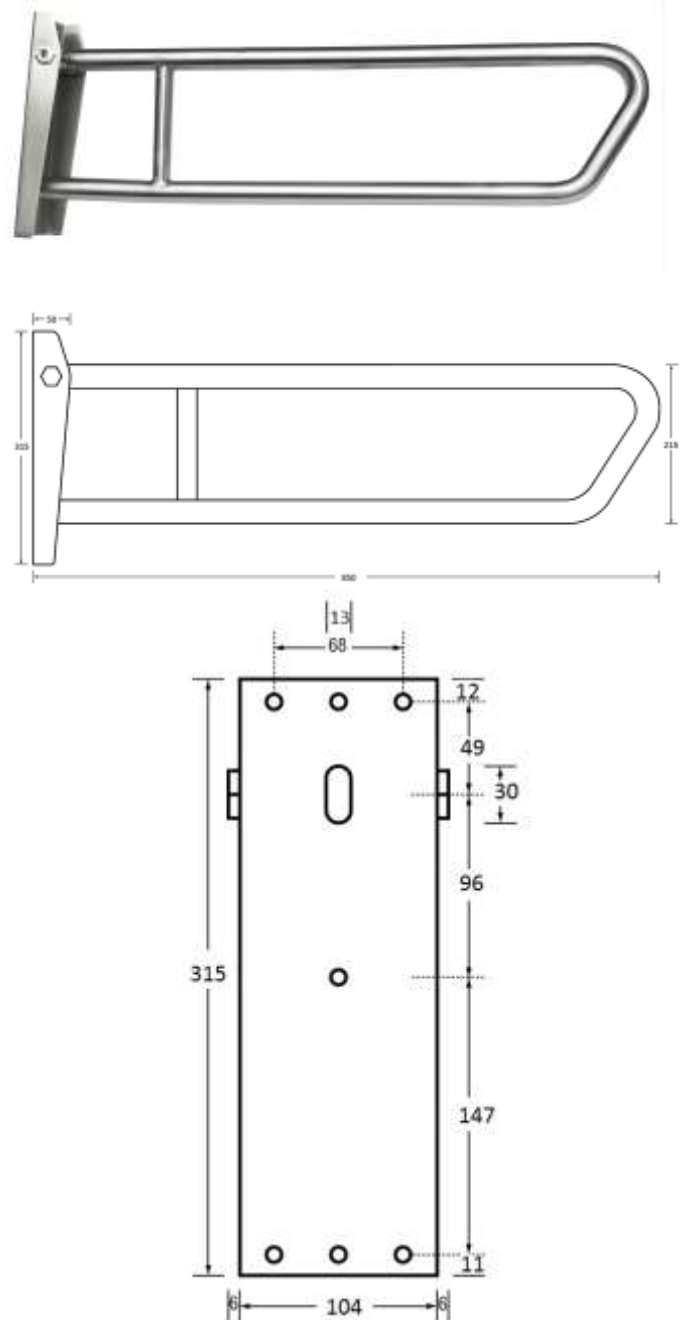
- **Overall:** 850mmL x 315mmH
- **Grab Rail:** 215mmH from outer edge to edge
- **Mounting Bracket:** 104mmW x 315mmH x 30~50mmD x 2.5mmT
- **Mounting Holes:** 7 off by 8mm $\varnothing$

### Installation Guidelines

- *May be subject to Australian Building Code Regulations for height and location fixing and may be subject to placement as per architectural drawings. In all cases, this is the responsibility of the installer.*
  - *Fixings and anchors are not included with the units and are the responsibility of the installer to appropriately fix the unit to the wall.*
1. Hold the unit on a wall in the desired location, and mark the 8 mounting holes.
  2. Secure unit to wall using suitable fixings and ensure that the mounting flange is flat against the wall.
  3. To finish installation, check that the grab rail moves easily from the horizontal position to the upright position. Ensure that the grab rail does not fall down when in the upright position.
  4. Apply a small amount of pressure to release the grab rail from upright position and lower it back to the horizontal position.

### Operation

- Grab rail can be lowered into a horizontal position when in use, and folded into an upright position for storage.



The photographs and line drawings of the products presented above are representational only. Metlam Australia Pty Ltd reserves the right to, and from time to time, make changes and improvements in design and dimensions.

## Features

- Grab rail comes pre-tensioned, can be tensioned as desired using an Allen Key.



## Safety Warning

- Ensure that there is proper structure support within the wall. Grab rails are no stronger than the anchors and walls to which they are attached. Grab rails must be firmly secured in order to support the loads for which they are intended.

*The technical recommendations contained in this document are necessarily of a general nature and should not be relied on for specific applications without first securing competent advice. Whilst Metlam Australia Pty Ltd has taken all reasonable steps to ensure the information contained herein is accurate and current, it does not warrant the accuracy or completeness of the information and does not accept liability for errors or omissions. Any Commercial product should only be installed by a competent tradesperson and serviced/maintained by knowledgeable janitorial staff or competent people. Metlam Australia accepts no responsibility for any damage to product, walls or fixtures due to incorrect installation or maintenance of any of their products.*

**NOTE:** The materials and construction of this grab rail meets AS1428.1 force requirements to be able to withstand a force of 1100Nm.

The photographs and line drawings of the products presented above are representational only. Metlam Australia Pty Ltd reserves the right to, and from time to time, make changes and improvements in design and dimensions.